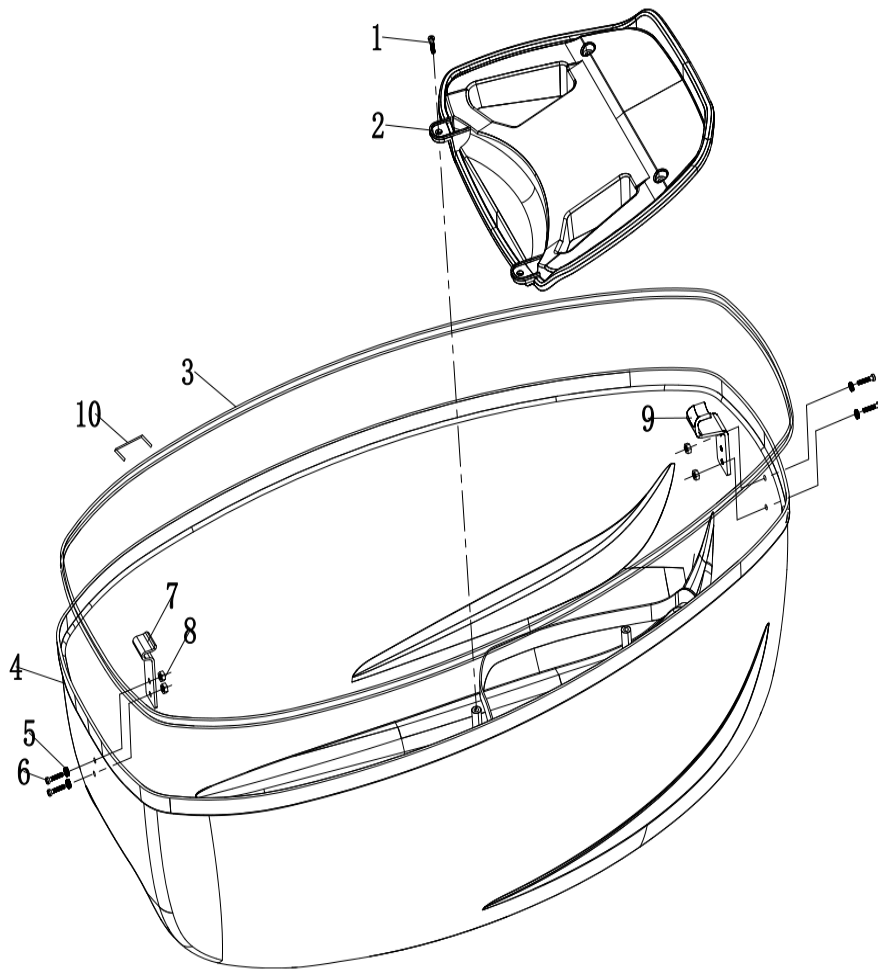


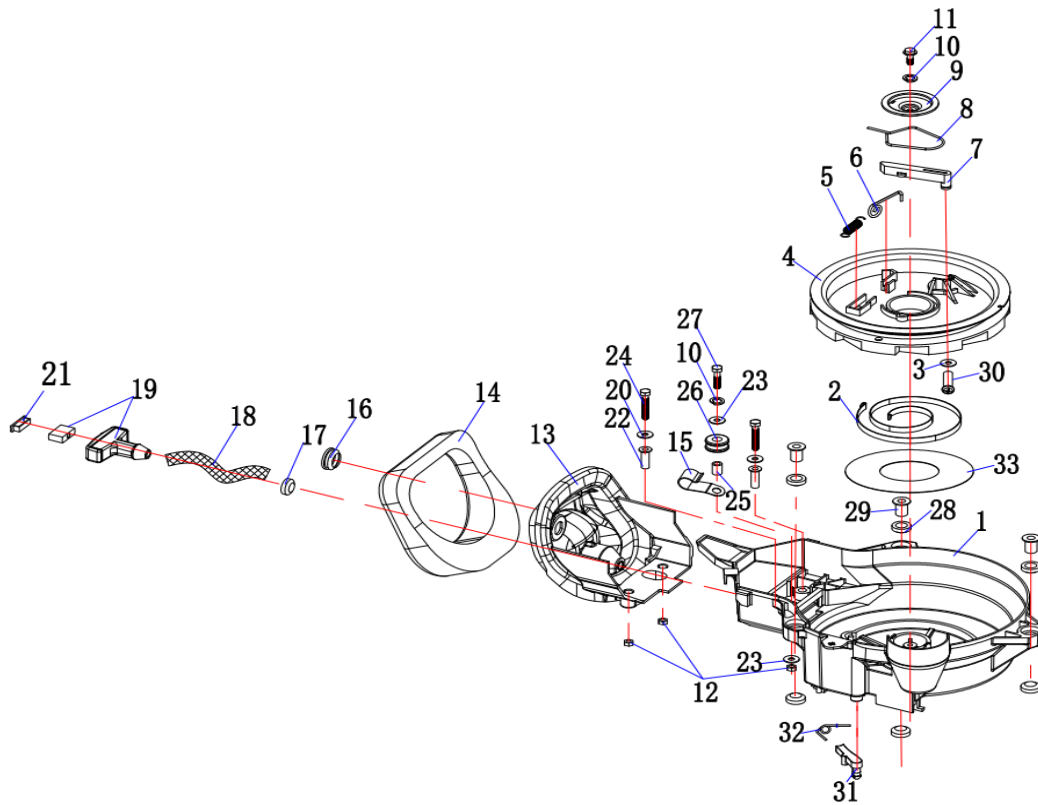


Мотор лодочный Marine Rocket MR40FFE-T (703 см³)



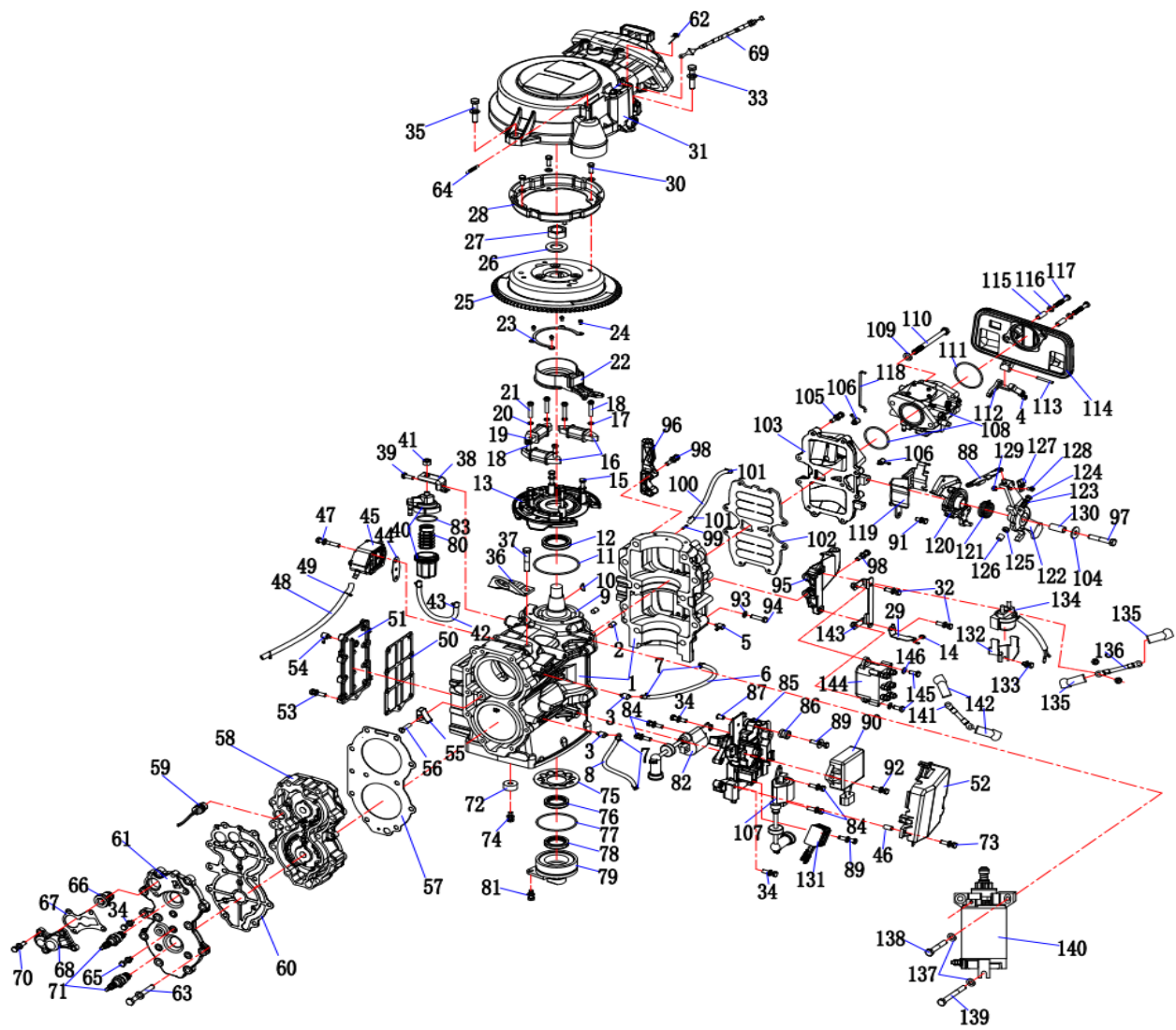
1. Капот

NO.	КОД MR	КОД №2	КОД OEM	НАИМЕНОВАНИЕ	ШТ	УПАКОВКА
1	MR0104090BAG			Cross recessed pan head tapping screws	4	10
2	MR01071139			Air inlet cover	1	1
3	MR01061148		40F-07.00.00.02	Rubber sealing strip	1	1
4	MR01071138			Top cowling	1	1
5	MR0104162BAG			Flat gasket 4	4	10
6	MR01040748BAG			Pan head bolt with cross recess	4	10
7	MR01080229		F15-07.00.00.06	Lock Hook(front)	1	1
8	MR0104144BAG			Bolt	4	10
9	MR01081139		40F-07.00.00.04	Rear lock hook	1	1
10	MR01090131BAG		15F-07.07	Binding nail	20	
	MR030220	MR08010015		Top Cowling	1	1



2. Ручной стартер

NO.	КОД MR	КОД №2	КОД OEM	ШТ	НАИМЕНОВАНИЕ	УПАКОВКА	YAMAHA E40X
1	MR01071101		40F-01.01.01.01	1	Casing, Starter cover assy.	1	66T-15711-00
2	MR01091101		40F-01.01.08	1	Volute spring	1	6F5-15713-01
3	MR01081148BAG		40F-01.01.21	1	gasket, Drive arm	5	63V-15744-00
4	MR01071105		40F-01.01.06	1	Start wheel	1	66T-15714-00
5	MR01091103BAG		40F-01.01.10	1	Return spring	2	66T-15784-00
6	MR01091102BAG		40F-01.01.09	1	Spring	2	66T-15767-00
7	MR010718038BAG		F25-01.01.00.02	1	Drive arm	2	63V-15741-00
8	MR01091104		40F-01.01.12	1	Clip spring	1	66T-15705-00
9	MR01081101		40F-01.01.11	1	Starter plate	1	66T-15716-00
10	MR0104154BAG			2	Spring Washer	10	
11	MR0104009BAG		GB5783 (8.8)	1	Bolt	10	
12	MR0104146BAG			3	hexagon nylon lock nut	10	
13	MR01071103		40F-01.01.02.00	1	Guide comp., start rope	1	66T-15758-01
14	MR010611040		40F-01.01.02.04	1	Damper, bracket	1	66T-15762-01
15	MR01080210BAG		F15-01.03.00.42	1	fix clip, air breather tube	5	90465-06M86
16	MR01061103BAG		40F-01.01.02.03	1	Rubber plug	2	
17	MR01061105BAG		40F-01.01.19	1	Shock ring, handle	2	6A0-15789-00
18	MR01100103		15F-01.01.22	1	starter rope	1	
19	MR01071107		40F-01.01.18	1	Starter handle	1	338-05019-0
20	MR0104171BAG			2	Flat gasket	10	
21	MR01071106BAG		40F-01.01.16	1	Starter Handle cover	2	338-05013-0
22	MR01021103		40F-01.01.02.02	2	Shoulder pad tube	1	90387-06M66
23	MR0104164BAG			2	Flat gasket	10	
24	MR0104015BAG			2	Hex Head Bolt M6*35	10	
25	MR01021102BAG		40F-01.01.01.05	1	bushing	2	6F5-15753-00
26	MR010211020		40F-01.01.01.04	1	scroll, start wheel	1	65F-15752-00
27	MR0104017BAG			1	Hexagonal bolt M6*45	10	
28	MR01061104BAG		40F-01.01.14	6	Damper	2	90385-12M04
29	MR01021104		40F-01.01.13	3	Shoulder pad tube	1	90387-08M51
30	MR0104235BAG			1	Cross recessed countersunk head screw	10	
31	MR01070211		F15-01.07.00.02	1	Brake	1	66T-15794-00
32	MR01090205BAG		F15-01.07.00.03	1	Torsional spring, brake	2	66T-15734-00
33	MR01071145		40F-01.01.00.20	1	Damping ring	1	
	MR030108	MR08020008	40F-01.01.00.00	1	Recoil Starter Assy.	1	

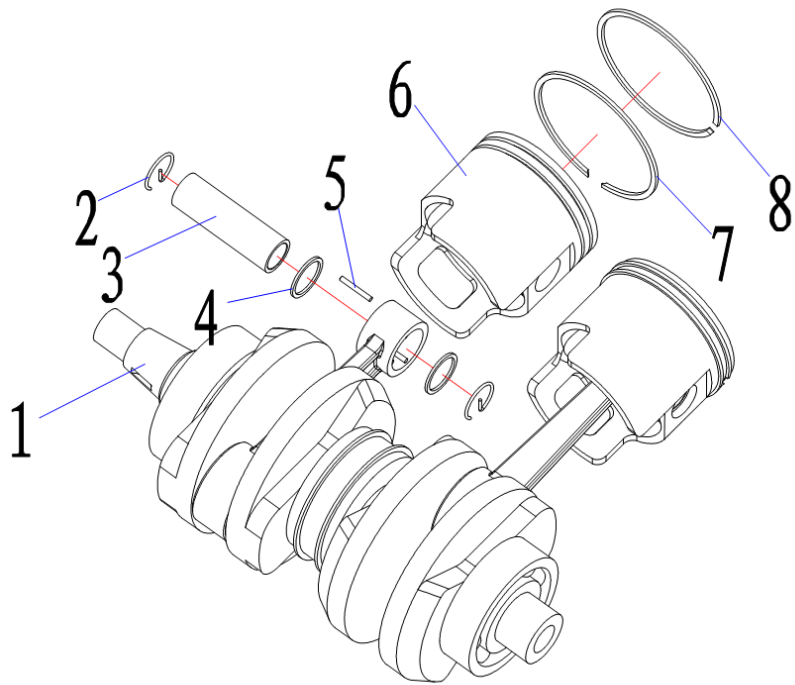


3. Блок двигателя

NO.	КОД MR	КОД №2	КОД OEM	НАИМЕНОВАНИЕ	ШТ	УПАКОВКА	YAMAHA E40X
1	MR01011115	MR091001011115	40F-01.06.01.01	Crankcase comp.(with crankcase cover)	1	1	66T-15100-02-1S
2	MR01021110BAG		40F-01.06.00.25	Dowel pin 8*12	2	5	93608-12063
3	MR01021111		40F-01.06.01.03	Joint,Breather pipe	2	1	6E5-13552-01
4	MR01070116		15F-01.02.07	chock lever joint A1	1	1	309-03173-0
5	MR01020108		15F-01.06.03	Joint,air breather tube	1	1	650-14485-03
6	MR01061112BAG		40F-01.06.00.04	Breather pipe (long)	1	2	90445-07M08
7	MR01090137BAG		15F-01.06.06	Tube clip	4	10	
8	MR01061113BAG		40F-01.06.00.05	Breather pipe (short)	1	2	
9			40F	Crank connecting rod & Piston Assy.	1		66T-11400-01
10	MR011011071		40F-01.03.03	Woodruff key	1	1	
11	MR01061108		40F-01.03.08.02	Sealing O-ring	1	1	93210-75M51
12	MR010511100		40F-01.03.08.01	Oil seal	1	1	93102-35008
13	MR01011103		40F-01.03.08.00	Magneto seat	1	1	66T-85561-00
14	MR01061109BAG		40F-01.03.08.08	Rubber ring	1	2	
15	MR0104410BAG		GB9074.1 M6*40	Bolt	4	10	
16	MR01031108		40F-01.03.04	Charging coil	1	1	66T-85520-00
17	MR0104154BAG			Spring Washer	4	10	
18	MR01042230BAG			Pan head screw with cross recess	4	10	
19	MR01031112		40F-01.03.26	Lighting coil	1	1	66T-85533-00
20	MR0104154BAG			Spring Washer	2	10	
21	MR0104106BAG			Pan head screw with cross recess	2	10	
22	MR01031102		40F-01.03.08.03	Pulser bracket	1	1	66T-85580-00
23	MR01081103		40F-01.03.07	Magneto plate	1	1	66T-41611-00
24	MR0104072BAG			Cross recessed Pan head screws M4*6	4	10	
25	MR01031601		40FE-01.03.01.00	fly wheel Assy.	1	1	
26	MR010417209BAG			Flat gasket	1	10	90201-21M18
27	MR01021106		40F-01.03.02	Flywheel nut	1	1	90170-20137
28	MR01081102		40F-01.01.15	Starter pulley	1	1	66T-15762-01
29	MR01081105		40F-01.03.18	Holder	1	1	
30	MR0104402BAG		GB9074.1 M6*10	Hexagonal bolt & flat gasket assy M6*10	4	10	
31	MR030108	MR08020008	40F-01.01.00.00	Recoil Starter Assy.	1	1	

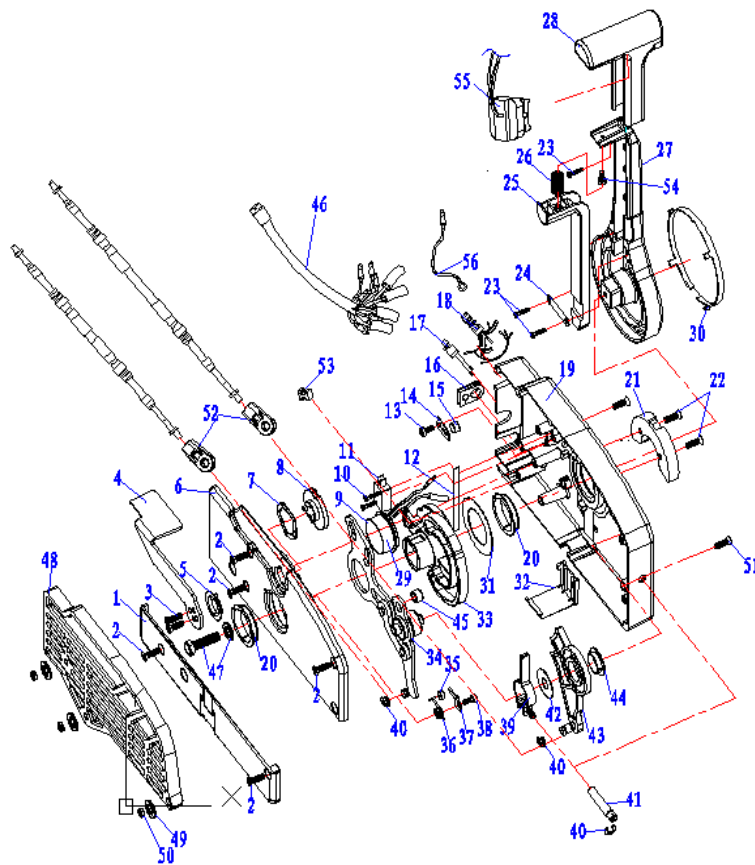
32	MR0104404BAG		GB9074.1 M6*16	Bolt	1	10	
33	MR01044135BAG		GB9074.1 M8*35	Hexagon headed bolt and flat plate M8*35	2	5	
34	MR0104403BAG		GB9074.1 M6*12	Bolt	3	10	
35	MR01044134BAG		GB9074.1 M8*25	Hexagonal bolt & flat gasket assy M8*25	1	10	
36	MR01081107		40F-01.06.00.01	Bracket(rear),Starter cover assy.	1	1	
37	MR0104035BAG			Bolt	2	10	
38	MR01081109		40F-01.07.07	Bracket,fuel filter	1	1	648-24566-02
39	MR0104008BAG			Hex Head Bolt M6*12	1	10	
40	MR01070165		15F-01.07.05.05	Inner cover,exhaust	1	1	61N-24560-00
41	MR0104139BAG			Bolt nut	1	10	
42	MR01061119BAG		40F-01.07.06	Fuel Hose A(5*10*45)	1	5	90445-09M08
43	MR01090138BAG		15F-01.07.07	Tube Clip	2	10	
44	MR01051121BAG		40F-01.07.05	Fuel pump washer	1	2	650-24431-A0
45	MR01051120B		40F-01.07.04.00	Fuel pump assy.	1	1	692-24410-00
46	MR01021107BAG		40F-01.03.06	Cushion tube	1	5	
47	MR0104410BAG		GB9074.1 M8*25	Bolt	2	10	
48	MR01061119BAG		40F-01.07.06	Fuel Hose A(5*10*45)	1	5	90445-09M08
49	MR01090138BAG		15F-01.07.07	Tube Clip	2	10	
50	MR01051107BAG		40F-01.06.00.10	seal gasket,exhaust	1	2	66T-41114-A0
51	MR01011107	MR091001011107	40F-01.06.00.08	Cover,exhaust	1	1	66T-41113-00-1S
52	MR01071110		40F-01.03.05	Electric parts cover	1	1	66T-81916-01
53	MR0104407BAG		GB9074.1 M6*25	Hexagonal bolt & flat gasket assy M6*25	9	10	
54	MR01020109		15F-01.06.10	water Tube fitting B	1	1	
55	MR01011113		40F-01.06.00.20	Anode	1	1	676-11325-00
56	MR01041121BAG			Pan head screw with cross recess	1	10	90141-06M00
57	MR01051109		40F-01.06.00.16	Cylinder gasket	1	1	66T-11181-A2
58	MR01011111	MR091001011111	40F-01.06.00.15	Cylinder cover	1	1	66T-11111-01-1S
59	MR01031106		40F-01.06.00.17	Temperature sensor comp.	1	1	
60	MR01051110		40F-01.06.00.19	Gasket,Cylinder outer cover	1	1	66T-11193-A2
61	MR01011112		40F-01.06.00.18	Outer cover,Cylinder	1	1	66T-11191-00-1S
62	MR01090205BAG		F15-01.07.00.03	Torsional spring,brake	1	2	66T-15734-00
63	MR0104431BAG		GB9074.1 M8*70 (10.9)	Bolt&gasket Assy M8*70	11	2	
64	MR01090206BAG		F15-01.07.00.05	Spring	1	2	66T-15731-00
65	MR0104407BAG		GB9074.1 M6*25	Hexagonal bolt & flat gasket assy M6*25	4	10	
66	MR01050104		15F-01.06.14-50°	thermostat 50°C	1	1	350-01030-1
67	MR01051108BAG		40F-01.06.00.13	Thermostat Gasket	1	2	676-12414-A1
68	MR01011110	MR091001011110	40F-01.06.00.14	Thermostat cap	1	1	676-12413-00-1S
69	MR01101101		40F-01.01.05	Brake cable comp.	1	1	66T-15770-00
70	MR0104409BAG		GB9074.1 M6*35	Hexagonal bolt & flat gasket assy M6*35	4	10	
71	MR01030308		BR7HS	spark plug	2	1	
72	MR01011108		40F-01.06.00.11	Anode,water outlet	1	1	676-45251-00
73	MR0104406BAG		GB9074.1 M6*20	Flat gasket&Bolt	1	10	
74	MR0104406BAG		GB9074.1 M6*20	Flat gasket&Bolt	1	10	
75	MR01081108		40F-01.06.00.26	Cap,bearing	1	1	66T-11565-00
76	MR010511160		40F-01.06.00.22	Oil seal	2	1	93102-30M56
77	MR01061118		40F-01.06.00.24	O ring,Oil seal casing	1	1	93210-65M50
78	MR010511170		40F-01.06.00.23	Oil seal (16*30*6)	2	1	
79	MR01011114	MR091001011114	40F-01.06.00.21	Casing,oil seal	1	1	66T-15396-01-94
80	MR2072701075A		F60-01.07.01.31	fuel filter	1	1	61N-24563-00
81	MR0104406BAG		GB9074.1 M6*20	Flat gasket&Bolt	1	10	
82	MR01031110			Ignition coil	1	1	66T-85570-00
83	MR01060112BAG		15F-01.07.05.06	O ring,filter	1	2	93210-32738
84	MR0104407BAG		GB9074.1 M6*25	Hexagonal bolt & flat gasket assy M6*25	4	10	
85	MR01011104		40F-01.03.21	Bracket	1	1	66T-8554B-01-94
86	MR01061111BAG		40F-01.03.23	Damper	3	2	
87	MR01021108BAG		40F-01.03.22	Shoulder pad tube	3	2	61N-82317-00
88	MR01071111		40F-01.03.08.09	Lever	1	1	66T-41237-00
89	MR0104408BAG		GB9074.1 M6*30	Bolt	3	10	
90	MR01031103		40F-01.03.20	CDI	1	1	66T-85540-00
91	MR0104404BAG		GB9074.1 M6*16	Bolt	1	10	
92	MR0104407BAG		GB9074.1 M6*25	Hexagonal bolt & flat gasket assy M6*25	2	10	
93	MR0104160BAG			Flat Pad 10	10	10	
94	MR010405104BAG			Bolt	10	2	
95	MR01011105		40F-01.06.00.02	Bracket(L),Starter cover assy.	1	1	66T-15772-00-94
96	MR01011106		40F-01.06.00.03	Bracket(R),Starter cover assy.	1	1	66T-15771-00-94
97	MR0104040BAG			Bolt	1	10	97080-08045
98	MR0104408BAG		GB9074.1 M6*30	Bolt	4	10	
99	MR01020111BAG		15F-01.06.21	Air Tube fitting B	1	2	30901-1350
100	MR01061115BAG		40F-01.06.00.07	Fuel hose	1	2	
101	MR01090137BAG		15F-01.06.06	Tube clip	2	10	
102	MR010511161		40F-01.06.02.00	Air intake valve assy	1	1	66T-13610-00
103	MR01011109	MR091001011109	40F-01.06.00.12	Air intake manifold	1	1	66T-13641-02-1S
104	MR0104165BAG			Flat gasket	1	10	

105	MR0104409BAG		GB9074.1 M6*35	Hexagonal bolt & flat gasket assy M6*35	8	10	
106	MR01020108		15F-01.06.03	Joint,air breather tube	2	1	650-14485-03
107	MR01031105			Ignition coil	1	1	
108	MR01051106		40F-01.02.02.00	Carburetor	1	1	66T-14301-02
109	MR010417109BAG			Flat gasket	2	10	
110	MR010404509BAG			Bolt&flat gasket M8*100	2	5	90119-08M03
111	MR01061106		40F-01.02.00.01	O-ring(inlet)	1	1	93210-54M54
112	MR01071108BAG		40F-01.02.00.04	Rocker arm,chock	1	5	66T-41252-00
113	MR010419607BAG			Cylindrical pin	1	10	91690-40032
114	MR01071109		40F-01.02.01.00	Air intake silencer	1	1	66T-14440-00
115	MR01021105BAG		40F-01.02.00.02	Cushion tube	2	2	90387-06M80
116	MR0104171BAG			Flat gasket	2	10	
117	MR0104225BAG			Pan head bolt with cross recess	2	10	97885-06040
118	MR01091105		40F-01.02.00.03	Lever,chock	1	1	66T-41256-00
119	MR01081106		40F-01.04.01	Holder,throttle cable	1	1	66T-14497-00
120	MR01071112		40F-01.04.04	sheave support	1	1	66T-41638-00
121	MR01091108BAG		40F-01.04.05	Torsional spring	1	2	66T-42167-00
122	MR01071113		40F-01.04.06	control linkage,Magneto	1	1	66T-41631-01
123	MR01091109BAG		40F-01.04.07	Compression spring	1	2	90501-10M84
124	MR0104225BAG			Pan head bolt with cross recess	1	10	97885-06040
125	MR0104149BAG			Hexagon thin nut M6	1	10	
126	MR01070121BAG		15F-01.04.07	screw cap	1	2	
127	MR01081104BAG		40F-01.03.08.07	Wire fixer	1	2	
128	MR0104076BAG			Pan head screw with cross recess	1	10	
129	MR0104137BAG			Hexagon nut M5	1	10	
130	MR01021109		40F-01.04.03	Bushing	1	1	90387-08M16
131	MR01031603		40FE-01.03.10	Rectifier	1	1	6G1-81970-62
132	MR01081601		40FE-01.03.05	relay bracket	1	1	
133	MR0104404BAG		GB9074.1 M6*16	Bolt	1	10	
134	MR01030817			Relay Assy.(Electrical)	1	1	
135	MR01060807BAG		DQDF15-00.03.06	rubber sleeve B	2	5	
136	MR01032304		20FE-01.03.09.01	power line,starting motor	1	1	
137	MR010417109BAG			Flat gasket	3	10	
138	MR0104041BAG			Hex Head Bolt M8*50	2	10	90119-08M13
139	MR0104044BAG			Hexagonal bolt	1	5	
140	MR01031604		40FE-01.03.11	electric start motor	1	1	
141	MR01030508		F9.9E-01.06.00.25	connecting wire	1	1	
142	MR01060807BAG		DQDF15-00.03.06	rubber sleeve B	2	5	
143	MR01081143		DQQ-00.00.05.00	relay fixed bracket Assy.	1	1	
144	MR01031914		60FET-01.02.15.00	trim relay	1	1	
145	MR0104008BAG		GB5783 M6*12	Hex Head Bolt M6*12	2	10	
146	MR0104164BAG		GB96 M6	Flat gasket	2	10	



4. Коленвал

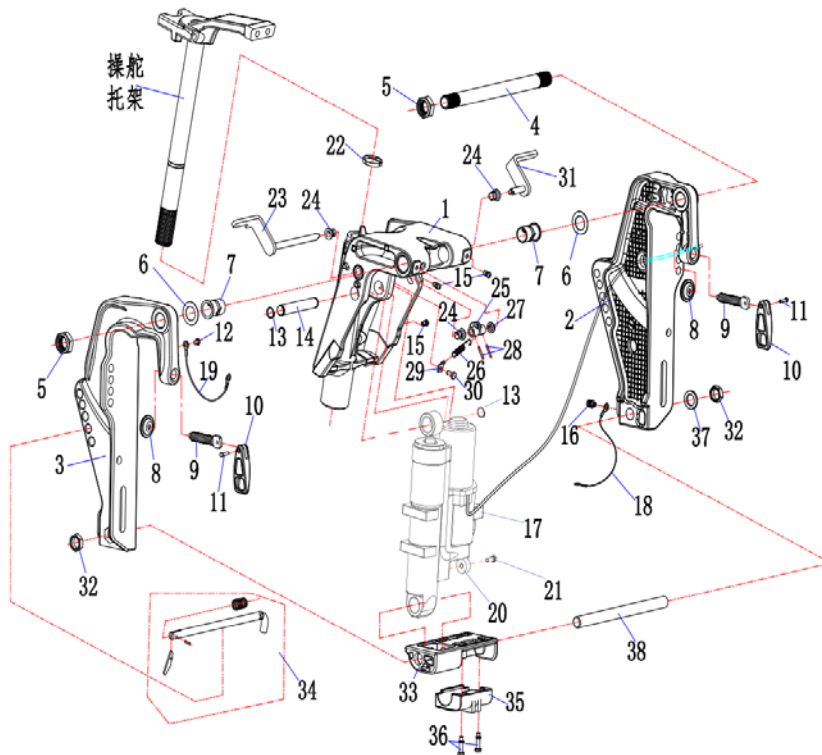
NO.	КОД MR	КОД №2	КОД OEM	НАИМЕНОВАНИЕ	ШТ	УПАКОВКА	YAMAHA E40X
1	MR01051119		40F-01.06.05.00	Crank connecting rod comp.	1	1	66T-11400-01
2	MR01051114BAG		40F-01.06.04.03	Circlip	4	10	663-11634-00
3	MR01051113		40F-01.06.04.02	Pin,piston	2	1	6F5-11633-00
4	MR010811160BAG		40F-01.06.04.05	Needle bearing plate	4	2	90201-20417
5	MR01051115BAG		40F-01.06.04.04	Bolt	56	28	93603-21111
6	MR01051112		40F-01.06.04.01	Piston	2	1	66T-11631-01-93
7	MR01051118		40F-01.06.04.07	the second piston ring	2		66T-11603-00
8	MR01051117		40F-01.06.04.06	Top piston ring	2		



5. Контроллер

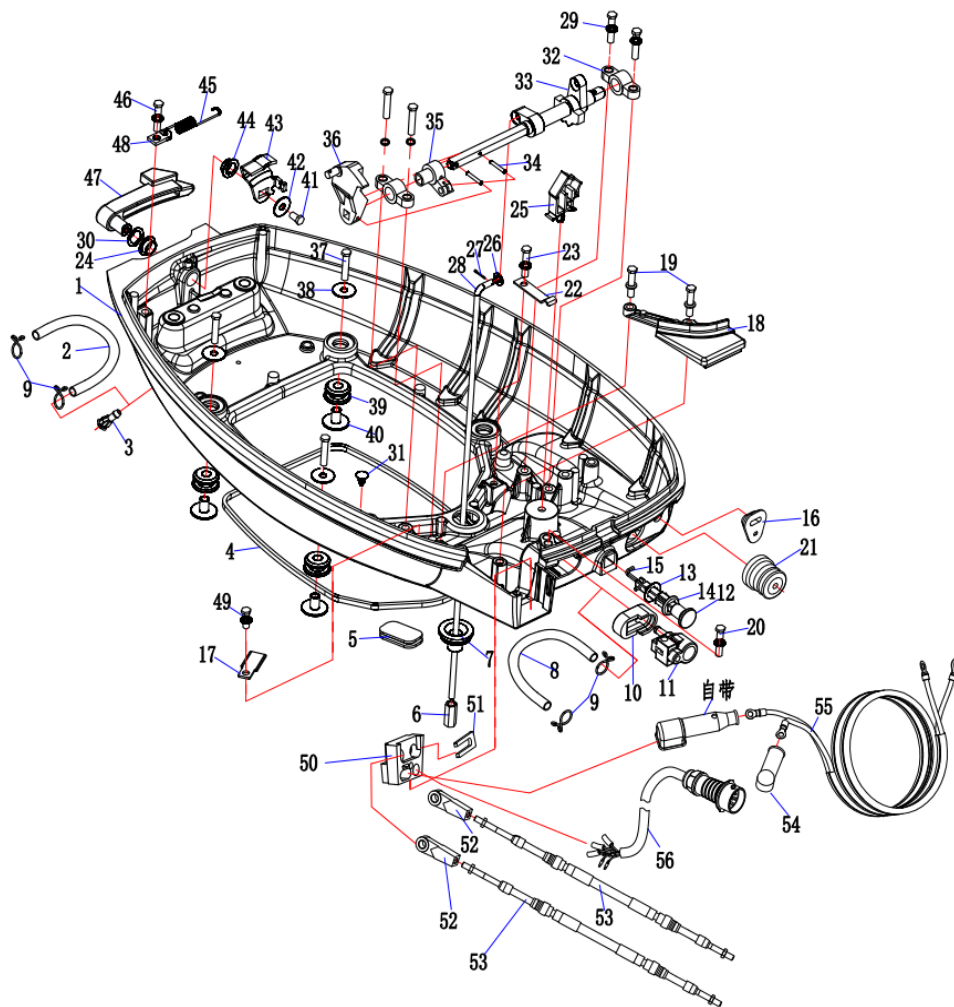
NO.	КОД MR	КОД №2	КОД OEM	НАИМЕНОВАНИЕ	ШТ	УПАКОВКА	Remote box
1	MR090901010801	MR07080001	HDYK00.00.01	Small plate	1	1	703-48213-00
2	MR0104111BAG		GB819 M5*16	Bolt	5	10	
3	MR0104110BAG		GB819 M5*12	Screw M5*12	2	10	
4	MR01080801		HDYK00.00.02	Lale lock handle	1	1	703-48152-00
5	MR01070801BAG		HDYK00.00.04	Antifriction Bushing	1	2	703-48243-00
6	MR090901010807	MR07080003	HDYK00.00.31	cap	1	1	703-48236-00
7	MR01080802BAG		HDYK00.00.03	Wave Washer	1	2	703-48198-00
8	MR01010802		HDYK00.01.00	Handle Lock wheel Assy	1	1	703-48153-00
9	MR01030801		HDYK00.02.01	Buzzer assy	1	1	703-83383-B0
10	MR0104071BAG		GB818 M3*14	Pan Screw M3*14	1	10	
11	MR01030804		HDYK00.05.00	Idle Start switch	1	1	703-82540-00
12	MR01090802BAG		HDYK00.00.10	Spring steel plate	5	10	
13	MR0104072BAG			Cross recessed Pan head screws M4*6	1	10	
14	MR01080804BAG		HDYK00.00.09	Plate	1	2	
15	MR01020802BAG		HDYK00.00.11	Shift limit pin	1	5	
16	MR01060801BAG		HDYK00.00.12	Wire Harness Seal Ring	1	10	703-48284-00
17	MR01030802		HDYK00.03.00	Engine shut-off switch	1	1	688-82575-01
18	MR01030803		HDYK00.04.00	Start switch Assy	1	1	703-82510-12
19	MR01010803		HDYK00.00.08	Remote control box	1	1	
20	MR01070804BAG		HDYK00.00.16	Gear Shift Seat washer	2	5	703-48236-00
21	MR01070806BAG		HDYK00.00.20	Handle Limit Assy	1	2	703-48245-00
22	MR0104111BAG			Pan head bolt with cross recess	2	10	
23	MR0104226BAG			Pan head bolt with cross recess	3	10	
24	MR01080809BAG		HDYK00.09.05	handle Lock plate	1	2	
25	MR01070809		HDYK00.09.04	Handle lock switch	1	1	
26	MR01090803BAG		HDYK00.09.06	Spring	1	2	703-48227-00
27	MR2012408001		HDYK00.09.11	Handle seat	1	1	
28	MR2072408001		HDYK00.09.13	Handle	1	1	
29	MR01060823BAG		HDYK00.02.02	Handle switch cap	1	2	703-82563-02
30	MR2072408003		HDYK00.09.12	Handle seat decoration ring	1	1	
31	MR01070803BAG		HDYK00.00.15	Gear Shift Seat washer	1	5	
32	MR2072408002			connector,box cap	1	1	
33	MR01010804		HDYK00.00.14	Shift seat	1	1	
34	MR01080816			Throttle controler Assy	1	1	
35	MR01020821BAG		HDYK00.00.06	Guide wheel	1	2	703-48234-00
36	MR01090801BAG		HDYK00.00.07	Spring	1	5	703-48244-00
37	MR01080803BAG		HDYK00.00.05	Guide wheel plate	1	2	703-48246-00

38	MR0104072BAG			Cross recessed Pan head screws M4*6	1	10	
39	MR01020810		HDYK00.08.01	Locking Clamp	1	1	703-48264-00
40	MR0104179BAG		GB896 6	Circlip	1	10	93430-06024
41	MR01020811BAG		HDYK00.08.02	Adjusting screw	1	5	703-48265-00
42	MR01070805BAG		HDYK00.00.19	Shift control washer	1	5	703-48268-00
43	MR01010805		HDYK00.00.17	Shift controler	1	1	703-48271-00
44	MR01080808BAG		HDYK00.00.13	Shift control washer	1	2	703-48235-00
45	MR01020808BAG		HDYK00.07.10	Guide wheel	1	2	703-48252-00
46	MR01031610		DQQ-00.00.07.00-L	Ten-pin plug 5M	1	1	
47	MR01044130BAG		GB9074.1 M8*30(8.8)	Flat gasket&bolts	1	5	
48	MR01070814		HDYK00.00.32	Remote control fixation plate	1	1	
49	MR0104175BAG		GB5287 M6	Flat gasket 6	3	10	
50	MR0104138BAG		GB6170 M6	Hex Nut M6	3	10	
51	MR0104119BAG		GB820 M6*90	Screw M6*90	3	5	
52	MR01070812BAG		HDYK00.00.25	Cable adjustor B	2	2	703-48345-01
53	MR01060803BAG		HDYK00.00.27	Wire harness sealing Seat	1	10	
54	MR01040760BAG		GB818 M5*10	Cross recessed pan head tapping screws(M5*10)	1	10	
55	MR2032702005		F60-02.00.03.04	Electric lifting remote control box switch	1	1	
55	MR01030824BAG		HDYK00.05.01	Electric Start Idle Wire	1	2	



6. Кронштейн струбины, подъёмник

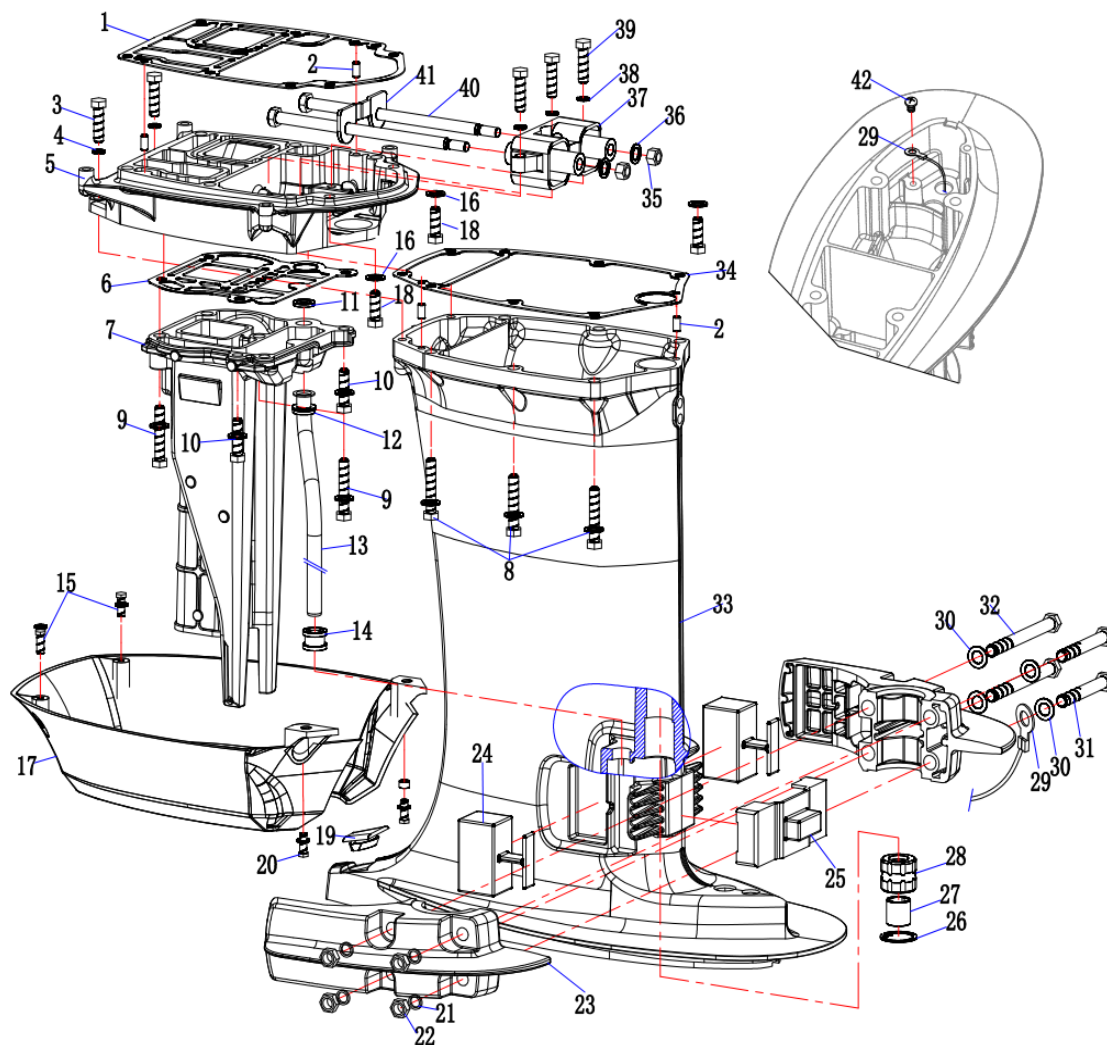
NO.	КОД MR	КОД №2	КОД OEM	НАИМЕНОВАНИЕ	ШТ	УПАКОВКА	УМН E60H
1	MR2010803001		40F-03.12.00-S	Rotating bracket (short axis)	1	1	
	MR2010803002		40F-03.12.00-L	Rotating bracket (long axis)	1	1	
2	MR091101011932	MR01011932	60F-03.01.01.00	Bracket(LH)	1	1	697-43111-05-4D
3	MR091101011933	MR01011933	60F-03.02.01.00	Bracket(RH)	1	1	697-43112-03-4D
4	MR01021114		40F-03.04	Bolt	1	1	346-62191-0
5	MR01020115		15F-03.01	Clamp nut	2	1	90185-22043
6	MR01081114BAG		40F-03.03	Washer	2	2	
7	MR01071121		40F-03.07.02	Damping ring,bracket	2	1	90386-22M15
8	MR01080118BAG		15F-03.05.02.03	Clamp plate	2	2	620-43114-00
9	MR01021931		60F-03.01.01.03	Transom Clamp Bolt	2	1	663-43116-01
10	MR091001011122	MR01011122	40F-03.05.03.02	intensify handle	2	1	6E0-43118-01
11	MR0104222BAG		GB1015	Bolt	2	10	
12	MR0104321BAG			Screw M6*8	1	10	97880-06012
13	MR0104335BAG			Circlip A type Ф15	2	10	
14	MR01021930		60F-03.00.00.16	Hydraulic Trim Support shaft (up)	1	1	
15	MR01100109BAG		JB7940.1	Oil cup	2	2	93700-06M03
16	MR0104402BAG		GB9074.1 M6*10	Hexagonal bolt & flat gasket assy M6*10	1	10	
17	MR01051951		60FET-03.00.08.00	Power Trim Assy.	1	1	
18	MR01101904		60F-03.00.03.00	Ground Wire assy.	1	1	
19	MR01101905		60F-03.00.07.00	Ground Wire assy.	1	1	63D-82148-00
20	MR01011108		40F-01.06.00.11	Anode,water outlet	1	1	676-45251-00
21	MR0104009BAG			Bolt	1	10	
22	MR01071948BAG		60F-03.00.00.30	Lifting bushing	1	2	
23	MR01081903		60F-03.00.05.00	Tilt positioning lever - Left	1	1	6H5-43181-03
24	MR01071931BAG		60F-03.00.00.20	Arm bush	3	2	
25	MR01071933		60F-03.00.04.00	Tilt positioning lever arm assy.	1	1	6G5-43148-00
26	MR01091911BAG		60F-03.00.00.19	Tilt positioning lever spring	1	2	90506-14M24
27	MR01071932BAG		60F-03.00.00.21	Arm open bush	1	2	90386-10025
28	MR0104371BAG			Elastic cylindrical pin 3*16	2	10	
29	MR01081920BAG		60F-03.00.00.18	Hook,spring	1	5	6G5-43144-00
30	MR0104007BAG			Hex Bolt M6*10	1	10	
31	MR01081904		60F-03.00.06.00	Tilt positioning lever - Right	1	1	6H5-43181-03
32	MR01021928		60F-03.00.00.09	Hex Nut M18*1.5	2	1	
33	MR01011930	MR091101011930	60F-03.00.00.12	Bracket blocker	1	1	63D-43128-01-4D
34	MR01081943			Angle positioning pin assembly	1	1	
35	MR01011903		60F-03.00.00.11	Anode	1	1	63D-45251-00
36	MR0104407BAG		GB9074.1 M6*25	Hexagonal bolt & flat gasket assy M6*25	2	10	
37	MR01081930		60F-03.00.00.10	Flat Gasket Ф19*Ф29.5*3	1	1	
38	MR01021932		60F-03.00.00.13	Hydraulic Power Trim Support shaft (down)	1	1	90116-18M52



7. Поддон двигателя

NO.	КОД MR	КОД №2	КОД OEM	НАИМЕНОВАНИЕ	ШТ	УПАКОВКА	YAMAHA E40X
1	MR091001011118	MR07110005		Bottom cowling	1	1	66T-42710-01-4D
2	MR01061114BAG		40F-01.06.00.06	Hose	1	2	
3	MR01070137BAG		15F-02.11	Plastic Water nozzle	1	5	6BL-44391-00
4	MR01061125		40F-02.00.00.07	rubber damper	1	1	66T-42716-00
5	MR01060526BAG		F9.9-02.00.00.15	rubber Plug	1	2	
6	MR01020130BAG		15F-06.04.05	Column nut	1	2	61N-44146-00
7	MR01061122BAG		40F-02.00.00.02	Shift lever rubber sleeve	1	5	676-42727-00
8	MR01061120BAG		40F-01.07.09	Fuel hose B	1	2	90445-09M08
9	MR01090138BAG		15F-01.07.07	Tube Clip	4	10	
10	MR01061121BAG		40F-01.07.10	Rubber sleeve	1	2	66T-24329-00
11	MR01100106		15F-01.07.01.00	Fuel hose joint assy	1	1	
12	MR01070134BAG		15F-02.02	Pull rod,choke	1	2	6H4-41271-01
13	MR01060113BAG		15F-02.04	Rubber washer	1	2	6J8-41274-00
14	MR01070135BAG		15F-02.03	Protecting bush,choke	1	2	689-41273-00
15	MR01091106		40F-01.02.00.05	Pull rod,choke	1	1	66T-41257-00
16	MR01060227BAG		F15-02.00.00.12	Protecting sleeve,steel cable	1	2	
17	MR01081602		40FE-02.00.00.01	electric wire plate	1	1	
18	MR091001011148	MR01011148	40FEH-02.00.00.05- II	small cover plate	1	1	
19	MR0104407BAG		GB9074.1 M6*25	Hexagonal bolt & flat gasket assy M6*25	2	10	
20	MR0104408BAG		GB9074.1 M6*30	Bolt	1	10	
21	MR01060228BAG		F15-02.00.00.15	Rubber shock ring,handle conncting rod	1	2	
22	MR01081110BAG		40F-02.00.00.09	Shift limit plate	1	2	682-44116-01
23	MR0104404BAG		GB9074.1 M6*16	Bolt	1	10	
24	MR01071119BAG		40F-02.02.00.03	Washer	1	2	
25	MR01070136BAG		15F-02.06	Fixer,Throttle cable	1	2	90465-25M57
26	MR0104171BAG			Flat gasket	1	10	
27	MR01041850BAG			Cotter pin 1.6*12	1	10	
28	MR01091121		40F-02.00.00.10-S	Shift lever(upper,S)	1	1	66T-44143-00
	MR01091111		40F-02.00.00.10-L	Shift lever(upper, L)	1	1	
29	MR0104407BAG		GB9074.1 M6*25	Hexagonal bolt & flat gasket assy M6*25	4	10	
30	MR01081111BAG		40F-02.02.00.02	Washer	1	2	
31	MR01071115BAG		40F-02.00.00.08	Thread plug	1	2	

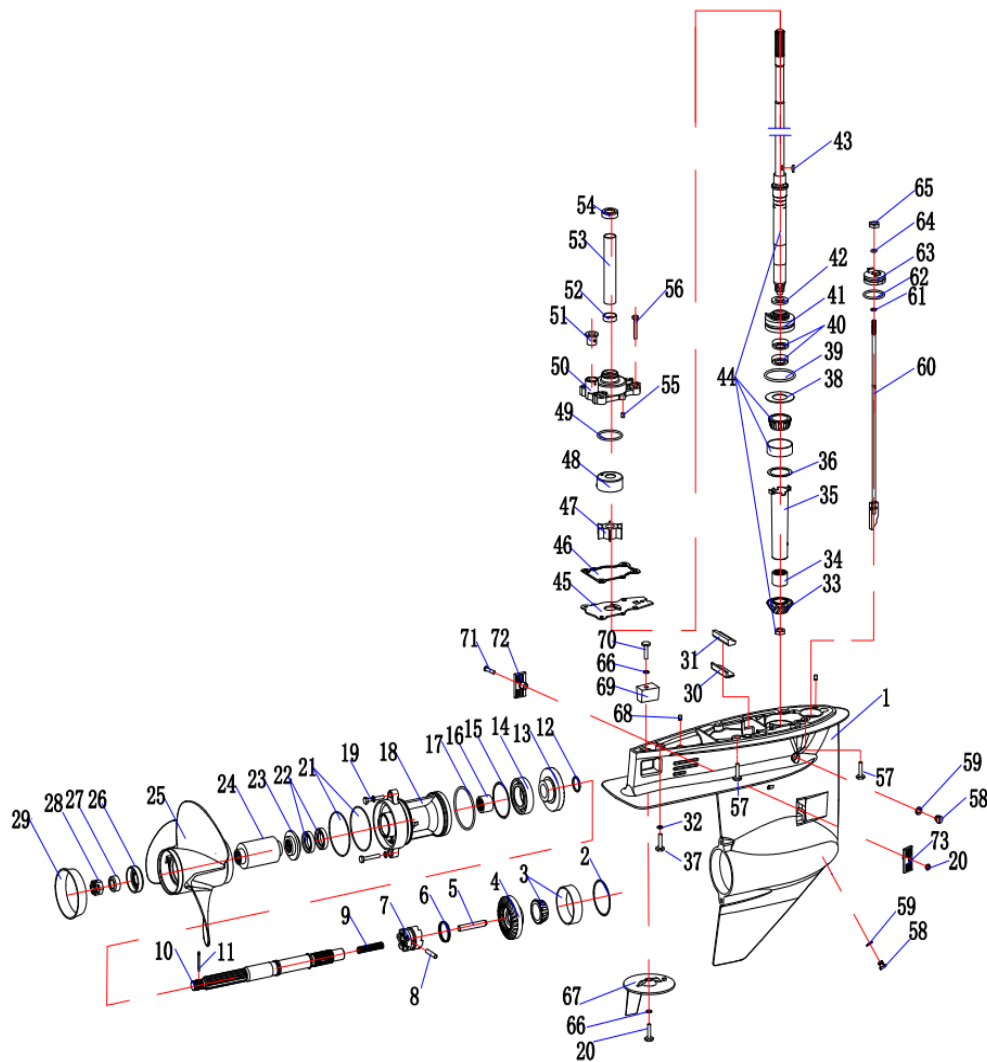
32	MR01070219		F15-02.00.00.07	Bracket	2	1	6F5-41662-00
33	MR01071118		40F-02.01.00.03	Shift lever fixer	1	1	66T-44121-00
34	MR0104196BAG			Cylindrical pin	2	10	90254-03M05
35	MR01070214BAG		F15-02.01.00.01	Cable end sleeve	1	2	66M-44122-00
36	MR01011147			Shiftr lever rocker	1	1	66T-44125-01
37	MR0104014BAG			Bolt	4	10	
38	MR0104175BAG		GB5287	Flat gasket 6	4	10	
39	MR01061123BAG		40F-02.00.00.03	Rubber damper	4	2	90480-09M21
40	MR01021112		40F-02.00.00.04	bushing,damper	4	1	90387-06035
41	MR0104008BAG			Hex Head Bolt M6*12	1	10	
42	MR0104164BAG		GB96.1	Flat gasket	1	10	
43	MR01081112		40F-02.02.00.05	Latch segment	1	1	66T-42816-00
44	MR01071120BAG		40F-02.02.00.04	Washer	1	2	90386-12M37
45	MR01091110BAG		40F-02.02.00.06	Tension spring,latch segment	1	5	90506-16M34
46	MR0104406BAG		GB9074.1 M6*20	Flat gasket&Bolt	1	10	
47	MR091001011120	MR07110007	40F-02.02.00.00	Lock handle comp.	1	1	
48	MR01081113		40F-02.02.00.07	Spring hook	1	1	66T-43144-00
49	MR0104404BAG		GB9074.1 M6*16	Bolt	1	10	
50	MR01061605BAG		40FE-02.00.00.06	rubber plug	1	2	
51	MR01080810		HDYK00.00.23	Bottom cowling Damper.	1	1	
52	MR01070811BAG		HDYK00.00.24	Cable adjuster A	2	5	
53	MR0110080102			Cable Comp.,remote control (5M)	2	1	
54	MR01060805		DQDF15-00.03.03	rubber sleeveA	1	1	
55	MR01031605		40FE-01.03.12	battery cable	1	1	
56	MR01031611		DQQ-00.00.07.00-S	ten stars plug(1.2m)	1	1	



8. Дейдвуд

NO.	КОД МР	КОД №2	КОД ОЕМ	НАИМЕНОВАНИЕ	ШТ	УПАКОВКА	YAMAHA E40X
1	MR01051122		40F-05.00.00.10	Gasekt	1	1	66T-45113-A0
2	MR01020110BAG		15F-01.06.20	Locating Pin 2*6	4	10	
3	MR0104037BAG			Bolt	2	2	
4	MR01041540BAG			washer	2	10	
5	MR091001011129	MR01011129	40F-05.00.00.17	Engine base	1	1	66T-41137-00-5B
6	MR01051123BAG		40F-05.00.00.12	Cover gasket,exhaust pipe	1	2	66T-41133-A0
7	MR01011128		40F-05.00.00.11	Exhaust pipe	1	1	66T-41131-00-5B
8	MR0104432		GB9074.1 M8*80(9.8)	Bolt&gasket Assy M8*80	6	1	
9	MR0104416		GB9074.1 M8*45	Hexagon headed bolt and flat plate M8*45	3	1	
10	MR01044130BAG		GB9074.1 M8*30	Flat gasket&bolts	2	5	
11	MR01071129BAG		40F-05.00.00.15	Bushing, hose	1	2	676--42727-00
12	MR01061132BAG		40F-05.00.00.14	Seal ring,hose	1	5	90202-12060
13	MR01101115		40F-05.00.00.13-S	Hose (S)	1	1	66T-44361-00
	MR01101108		40F-05.00.00.13-L	Hose (L)	1	1	
14	MR01061133BAG		40F-05.00.00.16	Seal ring(lower),hose	1	2	663-44367-00
15	MR0104404BAG		GB9074.1 M6*16	Bolt	2	10	
16	MR01041540BAG			washer	2	10	
17	MR091001071116	MR01071116	40F-02.00.00.11	Decoration cover	1	1	66T-42741-00
18	MR0104037BAG		GB5783 M8*30	Bolt	2	2	
19	MR01061130BAG		40F-05.00.00.02	Plug,Anode	1	2	63D-45155-00
20	MR0104404BAG		GB9074.1 M6*16	Bolt	2	10	
21	MR01041710901BAG			Flat gasket	4	10	
22	MR0104303			Hexagonal nut M10	4	1	

23	MR091001011102	MR07110001	40F-00.01	Damper housing	2	1	65W-44551-00-4D
24	MR01061101		40F-00.02	Damper A	2	1	65W-44555-10
25	MR01061102		40F-02.03	Damper B	1	1	66T-44575-00
26	MR01042062BAG		GB893.1	Hole collar	1	10	97075-08030
27	MR01021127BAG		40F-05.00.00.05	Location bushing	1	2	66T-44526-00
28	MR01061131BAG		40F-05.00.00.06	Rubber ring	1	2	
29	MR01101102		40F-03.07.10	Connection assy, Cable	1	1	66T-82127-00
30	MR0104160BAG			Flat Pad 10	4	10	
31	MR0104051051			Bolt	2	1	
32	MR0104051061			Bolt	2	1	
33	MR091001011141	MR07110020		Upper casing(S)	1	1	66T-45111-00-4D
	MR091001011127	MR07110014	40F-05.00.00.01-L	Upper casing(L)	1	1	
34	MR01051124		40F-05.00.00.18	Seal Gasket,upper casing	1	1	66T-45114-A0
35	MR0104147BAG			Hexagon nylon lock nut	2	10	
36	MR010417109BAG			Flat gasket	2	10	
37	MR01011130		40F-05.01.00.00	Mount Damper(upper) comp.	1	1	66T-44514-00-4D
38	MR01041540BAG			washer	3	10	
39	MR0104037BAG			Bolt	3	2	
40	MR01021128		40F-05.00.00.07	Bolt	2	1	90101-08M86
41	MR01081127		40F-05.00.00.08	Dead plate,mount damper(upper)	1	1	66T-44526-00
42	MR0104082BAG			Screw M6*8	1	10	



9. Редуктор

NO.	КОД MR	КОД №2	КОД OEM	НАИМЕНОВАНИЕ	ШТ	УПАКОВКА	YAMAHA E40X
1	MR091001011131	MR07110015	40F-06.01.01	Lower casing	1	1	66T-45311-01-4D
2	MR01081128BAG		40F-06.01.05	Shim,forward gear	2	2	663-45567-01
3	MR01051101			Roller Bearings	1	1	93332-00003
4	MR01051125		40F-06.01.04	Forward gear	1	1	66T-45560-01
5	MR01021132		40F-06.05.05(L)	Shift plunger	1	1	
6	MR01091116BAG		40F-06.05.04	Circlip	1	5	663-45633-00
7	MR01051131		40F-06.05.02	Dog clutch	1	1	66T-45631-00
8	MR01021133		40F-06.05.03	Pin	1	1	90250-06023
9	MR01091117BAG		40F-06.05.06	Compression spring	1	5	90501-15M01
10	MR01051130		40F-06.05.01	Propeller shaft	1	1	66T-45611-00
11	MR01041892BAG			Cotter pin	1	10	
12	MR01021135		40F-06.05.07	gasket	1	1	90201-22429
13	MR01051129		40F-06.04.02	Reverse gear	1	1	66T-45571-00
14	MR01051104			deep groove ball bearing	1	1	93306-001U1
15	MR01081132BAG		40F-06.04.03	Reverse gear shim	1	5	63D-45577-00
16	MR01051103			Needle bearing	1	1	93317-22204
17	MR01061140		40F-06.04.06	O ring	1	1	93210-74MG5
18	MR091001011137	MR07110017	40F-06.04.01	Cap,lower casing	1	1	63D-45361-02-4D
19	MR01044134BAG		GB9074.1 M8*25	Hexagonal bolt M8*25	2	10	
20	MR0104137BAG			Hexagon nut M5	1	10	
21	MR01061139		40F-06.04.05	O ring	2	1	93210-74MG5
22	MR01051138		40F-06.04.04	Oil seal(22*36*7)	2	1	
23	MR01021130		40F-06.02.03	propeller Pad	1	1	663-45987-02
24	MR01061137		40F-06.03.00	propeller Internal splined	1	1	69W-45945-00-EL
25	MR01011135		40F-06.02.01	Propeller	1	1	
	MR030308	MR08150009	40F-06.02.00.00	Propeller Assy.	1	1	69W-45945-00-EL
26	MR01081130		40F-06.02.04	Plate	1	1	66T-45997-00
27	MR01081131		40F-06.02.05	Press plate	1	1	90386-22M01
28	MR01021131		40F-06.02.07	Nut	1	1	90171-16011

29	MR01011136		40F-06.02.02	Propeller mouth	1	1	91490-30025
30	MR01061134BAG		40F-06.01.09	sealing strip	1	2	
31	MR01011134		40F-06.01.10	pressing plate,sealing strip	1	1	
32	MR01041540BAG			washer	1	10	
33	MR01051128		40F-06.01.12	pinion gear	1	1	66T-45551-00
34	MR01051149			Needle bearing	1	1	93315-32224
35	MR01071132		40F-06.01.06	Nylon bushing	1	1	6H4-45536-00
36	MR01081129BAG		40F-06.01.11.03	shim,pignion gear	2	5	663-45587-01(10, 20, 30, 40)
37	MR01040431BAG		GB5783 (10.9)	Bolt&flat gasket M8*65	1	10	
38	MR01081133		40F-06.07.04	Large washer	1	1	90201-27M00
39	MR01061143		40F-06.07.03	O ring,Oil seal casing	1	1	93210-48MG8
40	MR01051138		40F-06.04.04	Oil seal(22*36*7)	2	1	
41	MR091001011138	MR01011138	40F-06.07.01	Oil casing,water pump	1	1	63D-44341-00
42	MR01061144BAG		40F-06.07.05	Rubber bushing	1	2	66T-45344-01
43	MR011011200		40F-06.09.02	Woodruff key	1	1	90280-03M03
44	MR01051133		40F-06.01.11.00-S	Drive shaft Assy.(S)	1	1	66T-45501-01
	MR01051134		40F-06.01.11.00-L	Drive shaft Assy.(L)	1	1	
45	MR01081136		40F-06.08.07	Plate,water pump	1	1	66T-44322-00
46	MR01051132BAG		40F-06.08.08	gasket	1	2	63D-44316-00
47	MR01061147		40F-06.09.00	Impeller assy.	1	1	6H4-44352-02
48	MR01081134		40F-06.08.02	Insert, cartridge	1	1	63D-44322-00
49	MR01061145		40F-06.08.03	O ring,water pump	1	1	93210-59MG7
50	MR01071134		40F-06.08.01	Water pump housing comp.	1	1	66T-44311-00
51	MR01061146BAG		40F-06.08.06	Seal ring(lower),hose	1	2	
52	MR01061136BAG		40F-06.01.15	Sealing ring(S)	1	2	90480-25M70
53	MR01021140		40F-06.01.13-S	Copper sleeve(S)	1	1	66T-44362-10
	MR01021129		40F-06.01.13-L	Copper sleeve(L)	1	1	
54	MR01061135BAG		40F-06.01.14	Sealing ring(L)	1	2	90480-30M71
55	MR01020521BAG		F9.9-05.00.00.26	Locating Pin 4*10	2	10	
56	MR01044130BAG		GB9074.1 M8*30	Flat gasket&bolts	4	5	
57	MR010405102		GB5787 M10*40 (9.8)	Hexagon flange half-thread bolt	4	1	
58	MR01080139BAG		15F-06.01.04	Gasket	2	10	90430-08020
59	MR01020128BAG		15F-06.01.03	plug,straight screw	2	2	90340-08002
60	MR01091122		40F-06.06.00-S	Gear shift cam lever (S)	1	1	66T-44150-01
	MR01091118		40F-06.06.00-L	Gear shift cam lever (L)	1	1	
61	MR0104158BAG			Flat pad 6	1	10	
62	MR01061141BAG		40F-06.06.05	O ring	1	2	93210-33MG4
63	MR01071133BAG		40F-06.06.04	fixing plate, Gearshift cam	1	2	66T-45321-00
64	MR01060135BAG		15F-06.03.03	Shift lever o-ring	1	2	
65	MR0104138BAG			Hex Nut M6	1	10	
66	MR01041540BAG			washer	2	10	
67	MR01011132		40F-06.01.07	Trim tab	1	1	664-45371-01
68	MR01020110BAG		15F-01.06.20	Locating Pin 2*6	2	10	
69	MR01011133		40F-06.01.08	Anode	1	1	67C-45251-00
70	MR01044252		GB9074.1 M8*35(9.8)	bolt M8*35	1	1	
71	MR010411701BAG			screw	1	10	
72	MR01071130BAG		40F-06.01.02	Water inlet cover	1	5	63D-45214-00
73	MR01071131BAG		40F-06.01.03	cover,water inlet	1	5	63D-45215-00
	MR030519	MR08140018	40F(S)-06.00.00.00	Lower Casing Assy.	1	1	
	MR030515	MR08140017	40F(L)-06.00.00.00	Lower Casing Assy.	1	1	

10. Аксессуары

NO.	КОД MR	КОД №2	КОД OEM	НАИМЕНОВАНИЕ	ШТ	УПАКОВКА	YAMAHA E40X
1	MR01020128BAG		15F-06.01.03	thread plug, straight screw	1	2	90340-08002
2	MR01020813BAG		HDYK00.10.04	hex bolt	1	5	
3	MR01020814BAG		HDYK00.10.03	washer, control Lever	1	5	
4	MR010208140BAG		HDYK00.10.06	flat gasket	1	2	
5	MR01020815BAG		HDYK00.10.05	hex bolt, thin	1	2	
6	MR01020820BAG		HDYK00.10.07	nylon Lock nut	1	2	
7	MR01030308		BR7HS(15F/40F)	spark plug	1	1	
8	MR0104119BAG		GB820 M6*90	Pan head bolt with cross recess	3	5	
9	MR0104138BAG		GB6170 M6	hex bolt	3	10	
10	MR0104166BAG		GB96 M10	flat gasket	8	10	
11	MR01041710901BAG		GB97.1 M10	flat gasket	1	10	92903-10100
12	MR0104175BAG		GB5287 M6	flat gasket	3	10	
13	MR01041892BAG		GB91 3.2*25	cotter pin	1	10	
14	MR0104274BAG		GB6170 M10	hex nut	4	10	
15	MR0104276		GB5783 M10*90	hex bolt	4	1	
16	MR01061145		40F-06.08.03	O-ring	1	1	93210-59MG7
17	MR01061147		40F-06.09.00	impeller Assy.	1	1	6H4-44352-02
18	MR01070166		15F-08.00.00	fuel case Assy.	1	1	
19	MR01070168BAG		15F-09.01	emergency starting handle	1	2	
20	MR01070811BAG		HDYK00.00.24	steel cable adjusting device A	2	5	
21	MR01070812BAG		HDYK00.00.25	steel cable adjusting device B	2	2	703-48345-01
22	MR01070814		HDYK00.00.32	remote control fixed board	1	1	
23	MR01080139BAG		15F-06.01.04	thread plug seal gasket	2	10	90430-08020
24	MR01080815		HDYK00.10.01	control hook	1	1	
25	MR01081134		40F-06.08.02	water pump inner shell	1	1	63D-44322-00
26	MR01081136		40F-06.08.07(鍍)	water pump base plate	1	1	66T-44322-00
27	MR01090115BAG		15F-01.05.14	circlip(M)	1	10	
28	MR01090126BAG		15F-04.08.05	circlip(L)	1	2	90468-18008
29	MR01100103		15F-01.01.22	starter rope	1	1	
30	MR01100119		15F-08.01.06.00	Fuel Hose With Connector	1	1	
31	MR01100134		15F-09.00	toolkit	1	1	
32	MR0110080102			steel cable Assy., remote control	2	1	
33	MR01100807		HDYK00.00.34.00	steering wheel Assy.	1	1	
34	MR01100808		HDYK00.00.35.00	direction base Assy.	1	1	
35	MR01100809		HDYK00.00.35.01(5M)	direction wire rope Assy.	1	1	
36	MR01100810BAG			fuse	1	5	